



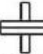

DESCRIPTION

These are Moving Coil or Moving Iron type instruments or dynamometric type instruments, specially designed to be operated in horizontal position (also in inclined position upto 45°) & can be carried along safely.

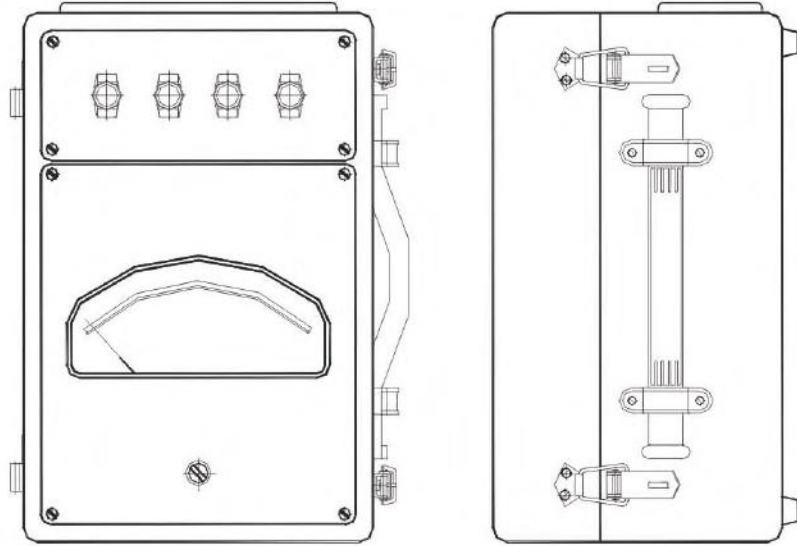
FEATURES / ADVANTAGES:

- ◆ Instruments with 0.5% accuracy class.
- ◆ Instruments with multiple scale available (refer table).
- ◆ Robust housing suitable for schools, workshops, field operations for continuous use.
- ◆ Precision instruments suitable for standard laboratories (Size: 1).

ELECTRICAL SPECIFICATIONS

MODEL	TYPE	SCALE	RANGE	ACCURACY
 PORT LSPW – 1	D.C. μ -AMMETER	Single	500 μ A, 1000 μ A	0.5%
		Dual	500/1000 μ A,	
	D.C. MILLI-AMMETER	Single	1mA, 2.5mA, 3mA, 5mA, 7.5mA, 10mA, 25mA, 30mA, 50mA, 75mA, 100mA, 250mA, 300mA, 500mA, 750mA, 1000mA	
		Dual	1/2mA, 2.5/5mA, 5/10mA, 10/20mA, 15/30mA, 25/50mA, 50/100mA, 150/300mA, 250/500mA, 500/1000mA.	
	D.C. AMMETER	Single	0.5A, 1A, 2.5A, 3A, 5A, 10A, 15A, 20A, 25A, 30A	
		Dual	0.5/1A, 1/2A, 2.5/5A, 5/10A, 10/20A, 15/30A	
	D.C. MILLIVOLTMETER	Single	25mV, 50mV, 75mV, 100mV, 150mV, 300mV, 500mV, 1000mV	
		Dual	25/50mV, 50/100mV, 75/150mV, 100/200mV, 125/250mV, 150/300mV, 250/500mV, 500/1000mV.	
		Tripple	25/50/100mV, 50/100/200mV, 75/150/300mV, 125/250/500mV, 150/300/600mV, 250/500/1000mV	
		Quadruple	25/50/62.5/75/100/125/150/200/250/300/500/600/1000mV	
	D.C. VOLTMETER	Single	1V, 2.5V, 3V, 5V, 7.5V, 10V, 15V, 20V, 25V, 30V, 50V, 75V, 100V, 150V, 200V, 250V, 300V, 500V, 600V, 1000V	
		Dual	1/2V, 2.5/5V, 5/10V, 15/30V, 30/60V, 50/100V, 75/150V, 100/200V, 125/250V, 150/300V, 250/500V, 300/600V, 500/1000V	
Tripple		1.5/3/7.5V, 3/7.5/15V, 7.5/15/30V, 15/30/75V, 25/50/100V, 75/150/300V, 125/250/500V, 150/300/600V		
Quadruple		1.5/3/7.5/15V, 3/7.5/15/30V, 7.5/15/30/60V, 15/30/75/150V, 30/75/150/300V, 75/150/300/600V		
 PORT LSPW – 2	A.C. AMMETER.	Single	0.5A, 1A, 2.5A, 5A, 10A, 15A, 20A, 30A.	0.5%
		Dual	1/2A, 2.5/5A, 5/10A. & also 0.2/1A, 0.5/2.5A, 1/5A, 2/10A, 10/20A, 15/30A.	
	A.C. VOLTMETER	Single	62.5V, 75V, 125V, 150V, 250V, 300V, 500V, 600V	
		Dual	62.5/125V, 75/150V, 125/250V, 150/300V, 250/500V, 300/600V	
		Tripple	62.5/125/250V, 75/150/300V, 125/250/500V, 150/300/600V	
		Quadruple	62.5/125/250V, 75/150/300V, 125/250/500V, 150/300/600V	
 LSDW 10	AC/DC AMMETER	Single	0.5, 1, 2.5, 5, 10A	0.5%
		Dual	0.5/1A, 1/2A, 2.5/5A, 5/10A	
 LSDW 11	AC/DC VOLTMETER	Single	75, 150, 300, 600V	
		Dual	75/150V, 150/300V, 300/600V	
		Tripple	75/150/300V, 150/300/600V	

MECHANICAL SPECIFICATIONS



SIZE 1

SIZE	LENGTH mm	WIDTH mm	HEIGHT mm	HOUSING MATERIAL	MODEL IDENTIFICATION	SCALE		WEIGHT kg. (Approx.)
						LENGTH mm (Approx.)	DIVISION nos.	
1	300	200	155	Wooden Box	LSPW —	150	100 ~ 150	4
2	300	200	190	Wooden Box	LSPW —	150	100 ~ 150	5

Ordering information

1) Type 2) Model 3) Scale 4) Range 5) Accuracy