

Ampere Hour Meter



DESCRIPTION

Ampere Hour Meter is used to measure the battery capacity. It monitors current with time. The indication is the product of current (in ampere) and time (in hours). This meter indicates charging and discharging ampere-hour of battery. It automatically switches between charging ampere-hour and discharging ampere-hour when direction of current is reversed.

FEATURES

- Desired Ampere-Hour can be programmed.
- Primary current & secondary voltage of shunt is programmable.
- Charge and Discharge led to indicate status of battery.
- Reset switch is provided to reset Ah counts.
- Max. counts upto 999999.
- Two relay change over for alarm or charging.

ELECTRICAL SPECIFICATIONS

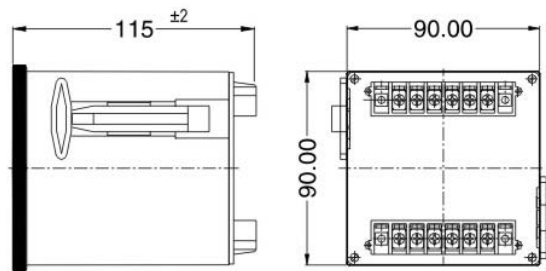
■ OPERATING VOLTAGE	:	+/- 50mV, 75mV, 100mV, 150mVDC of shunt.
■ RESOLUTION	:	0.1% of full scale
■ ACCURACY	:	± 0.5% of Full scale
■ DISPLAY TYPE	:	7 Segment, 6 Digit, LED Display
■ DISPLAY COLOUR	:	Red
■ AUX. SUPPLY	:	90V AC. to 270V AC. / 100V DC. to 2500V DC./ 45-55Hz.
■ VA BURDEN	:	Input voltage : 0.5VA Aux. Supply : Less than 6VA.
■ INSULATION RESISTANCE	:	Greater than 20mΩ at 500VDC
■ DIELECTRIC TEST	:	2kV RMS for 1 min.
■ OPERATING TEMPERATURE	:	0° C to 55°C.
■ STORAGE TEMPERATURE	:	0°-20° C to 70° C.
■ HUMIDITY	:	Upto 95% RH.

Ampere Hour Meter

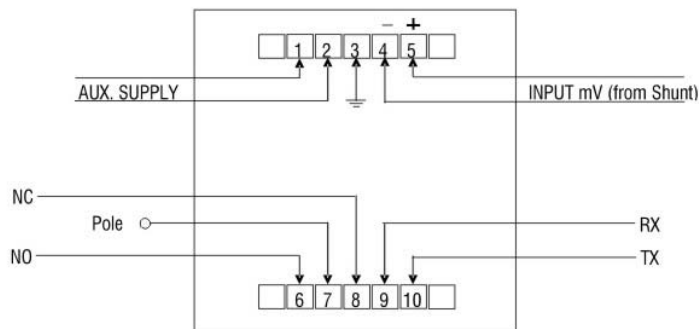
MECHANICAL SPECIFICATIONS

DATA SHEET	MECHANICAL SPECIFICATIONS	
AH 96	SIZE	96 x 96 x 115 ^{±2}
	PANEL CUTOUT	92 x 92 ^{+0.8}
	Weight	500 (gms.)

OVERALL DIMENSIONS :



CONNECTION DIAGRAM :



ORDERING INFORMATION :

- 1) Operating Current & Corresponding sensing Voltage
- 2) Aux. Supply